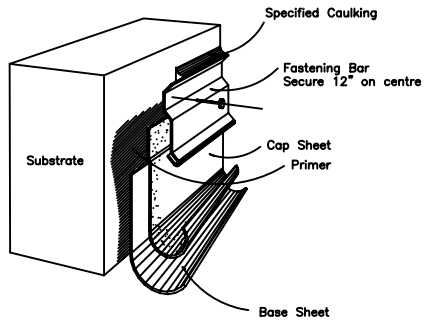
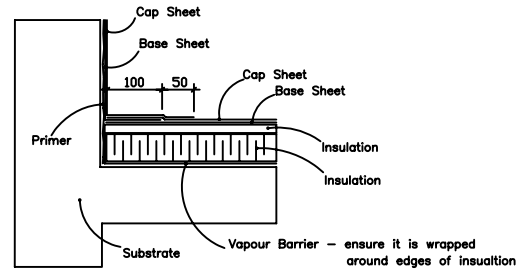


## Typical Fastening Bar

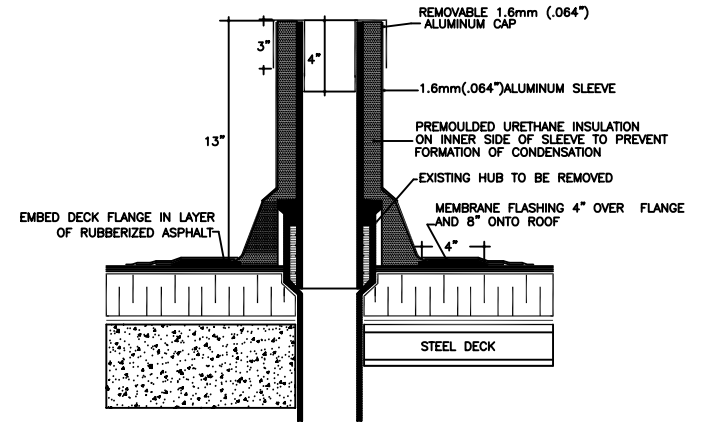


## Typical Roof Edge Detail



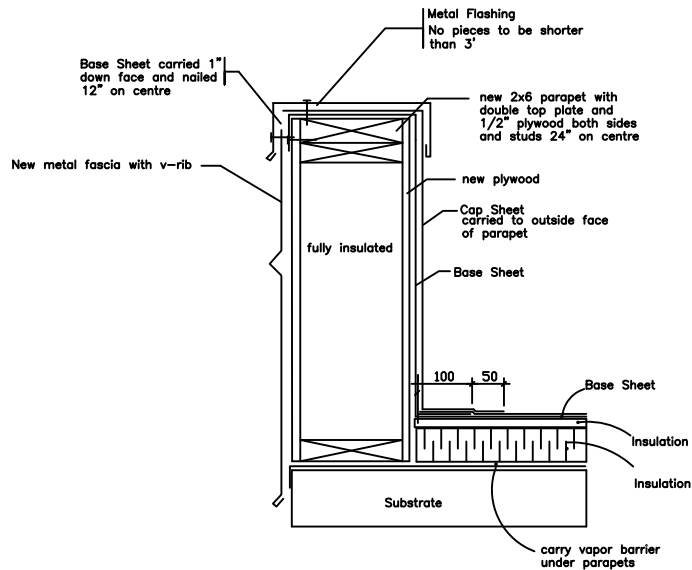
Note: Modified Bitumen stripping used in conjunction with 4 ply felt membrane is to have base sheet extend 12" onto flat and cap sheet 18" onto flat.

## Plumbing Vent Flashing



SJ-20 ALUMINUM STACK JACK (13") HIGH

## Typical Parapet Construction



### AGASSIZ CONSULTING GROUP

809 Pipeline Road, Winnipeg, Manitoba  
Phone: 697-8091 Fax: 697-8039

Project: West Kildonan Memorial Arena  
346 Perth Avenue  
Winnipeg, MB

Date: January 11, 2011

Drawing No. D-1

File no: 3675-11 Scale: N.T.S.